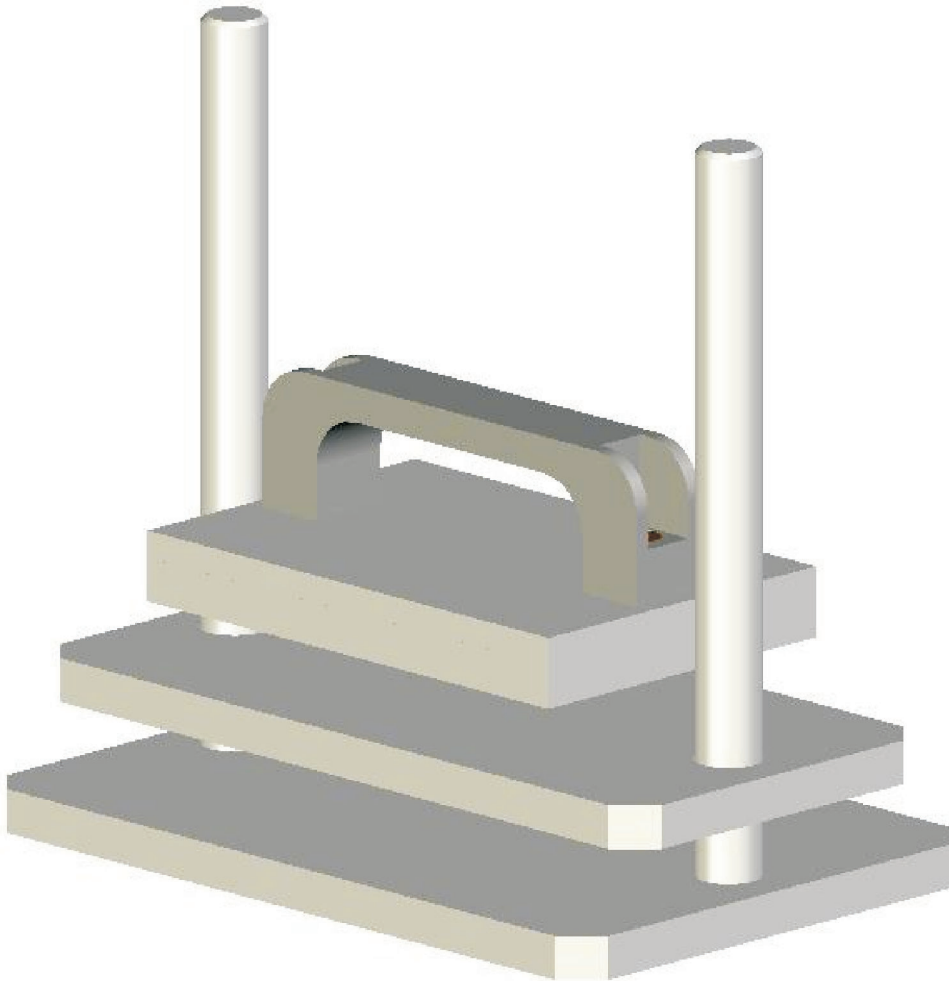


# LABORATORY EQUIPMENTS



Made in EU

**Pegasil**<sup>®</sup> by **ZIPOR**



---

Perspiration tester

**EL-33**

**Standards:** ISO 105:E04

**Commercial Services:**  
Tel.: +351.256 831 411  
Fax: +351.256 831 412

**ZIPOR** - Equipamentos e Tecnologia Industrial, S.A.

email: [p.silva@zipor.com](mailto:p.silva@zipor.com)

**Technical Services:**  
Tel.: +351.256 888 240  
Fax: +351.256 888 121

# LABORATORY EQUIPMENTS

## Perspiration tester

### Purpose

The perspiration tester is used to determine colour fastness to water and perspiration of textiles.

### Description

Provided with 2 stainless steel frames each with a capacity of 20 samples held between acrylic separator plates. Loading weights for BS and ISO standards are included.

**Note:** To perform this test an electric incubator is required.

**Supplied with:**

.Operating instructions ; conformity / calibration certificate

**Standards:**

ISO 105:E04

**Power Consumption:**

-----

**Noise:**

-----

**Power Supply:**

-----